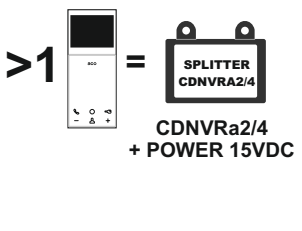
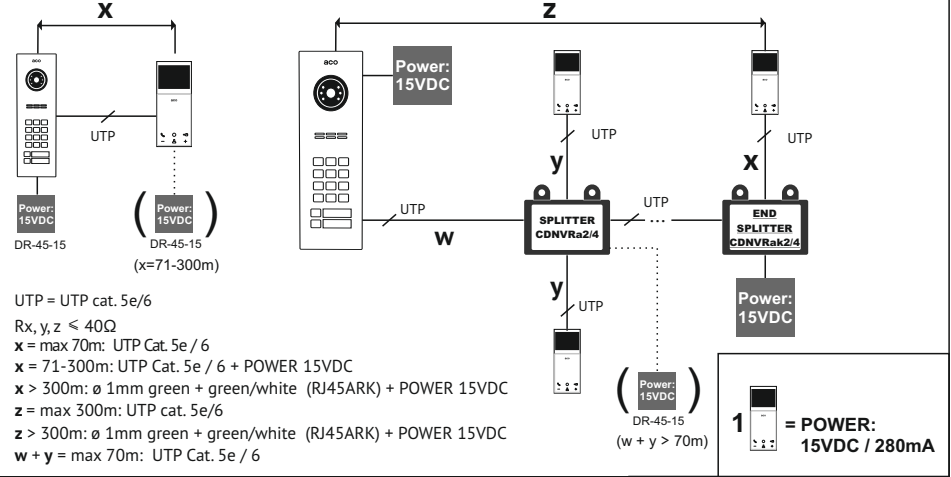
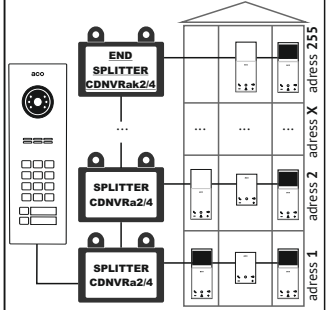
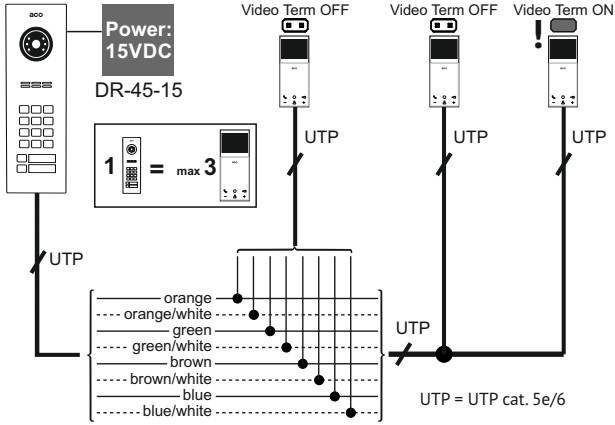


<b>video</b> MP800	<b>audio</b> UP800	<b>audio / video</b> UP800V	<b>LCD</b> UP800 LCD 3,5" UP800 LCD 2,4"	<b>UP800V + LCD = MP800</b> INSTRUKCJA INSTALATORA INSTALLERS MANUAL INSTRUCTIONSANWEISUNG L'INSTRUCTION DE L'INSTALLATEUR (UP800 LCD 3,5"/2,4")
1 2 3 4 5 6	1 2 3 3s F2 FFL	3 3s	4 5 4	5 20s 30s 5s
<b>video</b>	<b>audio</b>	<b>audio / video</b>	<b>LCD</b>	<b>UP800V + LCD = MP800</b>
1 2 3 4 5 6	1 2 3 4 5 6	1 2 3 4 5 6	1 2 3 4 5 6	1 2 3 4 5 6
<b>video</b>	<b>audio</b>	<b>audio / video</b>	<b>LCD</b>	<b>UP800V + LCD = MP800</b>
1 2 3 4 5 6	1 2 3 4 5 6	1 2 3 4 5 6	1 2 3 4 5 6	1 2 3 4 5 6

<b>video</b> MP800	<b>audio / video</b> UP800V	<b>LCD</b> UP800 LCD 3,5" UP800 LCD 2,4"	<b>UP800V + LCD = MP800</b> INSTRUKCJA INSTALATORA INSTALLERS MANUAL INSTRUCTIONSANWEISUNG L'INSTRUCTION DE L'INSTALLATEUR (UP800 LCD 3,5"/2,4")
Ø6 x2	1	2	12345678
~150 cm	A/B min. cat 5e/6 A	UTP cat 5e/6 RJ45 T568B	1. orange - white -DC POWER Power 2. orange +DC POWER 3. green - white LINE - 4. blue V+ (V1+) 5. blue - white V- (V1-) 6. green LINE + 7. brown - white -DC POWER Power 8. brown +DC POWER
A/B/C	INSPIRO MASTER CDP6 (ACC) MASTER FAMILIO (PPV) INSPIRO CDPV	VIDEO V+ RING +POWER -DC POWER LINE - LINE + FFL	SET MONITOR ADDRESS Address: 1 Address: 3 (1+2) Address: 46 Address: ALL (2+4+8+32) (0)
1	2	3	VIDEO TERM. 100R OFF ON



**aco**

PRODUCENT / PRODUCER / HERSTELLER / PRODUCTEUR

**ACO Sp. z o.o. sp. komandytowa**  
 ul. Diamentowa 7  
 62-002 Suchy Las, Poland  
 tel. +48 61 843 93 71  
 tel. +48 61 641 96 86  
 bok@aco.com.pl  
 export@aco.com.pl  
 www.aco.com.pl

Instrukcje oraz więcej informacji dostępne również na:  
 Instructions and more information also available on:  
 Instruktionen und weitere Informationsnauch verfügbar auf:  
[www.support.aco.com.pl](http://www.support.aco.com.pl)

IU0512vD.2024

**2**